



# Triple Tap<sup>®</sup>

*Type "T3" Wide Range  
Service Saddle*

*Extended Range Universal Service Saddle*



**Fewer Sizes, Less Inventory = More with Less**



**Total Piping Solutions, Inc.**

# TRIPLE TAP<sup>®</sup> Series T3

## An All Stainless Steel Universal Service Saddle Solution

The Triple Tap Series T3 Service Saddle is the latest in our series of innovative products that save time, labor and inventory dollars in the water and wastewater piping industries.

The Series T3 includes many unique advantages including a double range band which allows for a substantial reduction in inventory. It substantially cuts the need for extra on-hand sizes to accommodate the local market

requirements for performing service line taps. The Series T3 exceeds all industry standards including AWWA C800.

The Series T3 is a unique wide range Universal Type 304 Stainless Steel Service Tapping Product that may be used on all types of pipe including: ductile iron, cast iron, PVC, asbestos cement, steel and HDPE. All versions are equipped with an insulating boot that prevents contact with the pipe and reduces the potential for corrosion when used on ferrous pipe materials.

Since the Series T3 may be used on all pipe materials with the ability to cut saddle inventory by over 70%, it is a suitable candidate to replace multiple services saddles made from various materials such as brass, ductile iron and plastic as well as a selection of other stainless steel saddle versions.

Patents have been applied for the unique extended range Cam Lug System. The user friendly lug system, with built in handle enables one product to carry over twice the range of a standard saddle, allowing for inventory reduction and simplification of the installation process. The outlet design features a stronger spin-extruded branch with higher strength welds to resist threaded service valve installation torque and fatigue cracking.



# TRIPLE TAP<sup>®</sup> Series T3

## Specifications

**Pressure Rating:** Up to 250 PSI Maximum Working Pressure. Call factory for additional information

**Temperature Rating:** Maximum Continuous Working Temperature range of 150 Degrees F

**Gasketing:** NSF-61 Approved NBR Rubber – For Water Service (EPDM Available upon Request)

**Shell:** Heavy Duty 16, 18 or 20 gage band of Type 304, 18-8 Stainless Steel, Fully Passivated for Corrosion Protection

**Alignment Lugs:** Heavy Duty Cast Type 304, 18-8 Stainless Steel permanently weld fused to band with integrated handle for ease of assembly

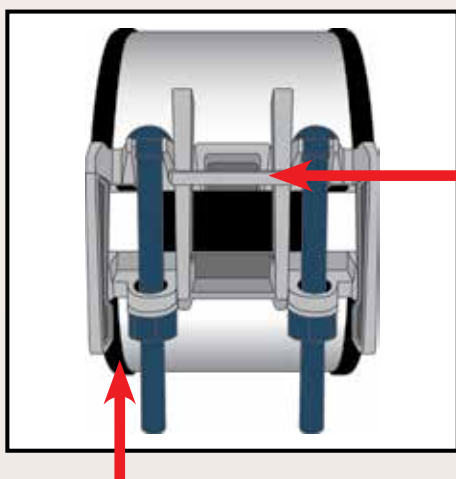
**Branch Connections:** Type 304 18-8 Stainless Steel Thread-O-Lets available in 1/2" to 2" in diameter

**Outlets:** Type 304, 18-8 Stainless Steel available in either "CC" or "NPT" thread pitches

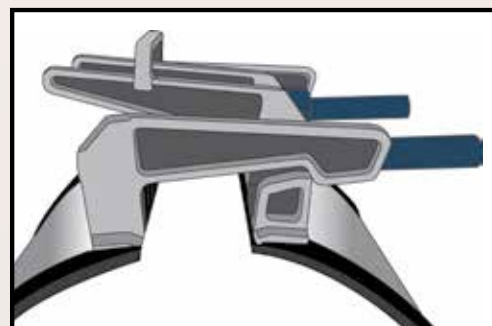
**Band Insulating Boot:** EPDM Rubber

**Bolts/Washers:** Type 304 Stainless steel, Bolt threads 5/8" Rolled, coated with Fluoropolymer Coating to prevent galling

**Nuts:** Type 316 Stainless Steel coated with Fluoropolymer Coating to prevent galling



Integrated Handle for Ease of Installation



Patent Pending Cam Lug Fingers for Extended Range

Body 100% Insulated from Ductile Iron Pipe with Gasket and Insulating Boot to Prevent Bi-Metallic Corrosion

# TRIPLE TAP<sup>®</sup> Series T3

Nominal Diameter	Lower Diameter	Upper Diameter	Connection Sizes	CTS	IPS	DI	Pit Cast	AC100	AC150	AC200
4	4.45	5.13	½ to 2"	5.13	4.50	4.80	5.00			
4 o.s.	4.74	5.36	½ to 2"			4.80	5.00	5.26	5.32	
5	5.50	6.20	½ to 2"	6.13	5.56					5.57
6	6.55	7.42	½ to 2"		6.63	6.90	7.10	7.40	7.37	
6 o.s.	6.84	7.65	½ to 2"			6.90	7.10	7.40	7.37	7.60
8	8.54	9.44	½ to 2"		8.63	9.05	9.30			
8 o.s.	8.98	9.84	½ to 2"			9.05	9.30	9.57	9.62	9.79
10	10.64	11.46	½ to 2"		10.75	11.10	11.40			
10 o.s.	11.34	12.16	½ to 2"				11.40	11.77	12.12	12.12
12	12.62	13.56	½ to 2"		12.75	13.20	13.50			
12 o.s.	13.65	14.42	½ to 2"		14.00			14.04	14.38	14.38
14	15.22	16.16	½ to 2"		16.00	15.30	15.65	15.80		
14 o.s.	16.18	16.92	½ to 2"						16.73	16.88
16	17.25	18.18	½ to 2"		18.00	17.40	17.80	17.94		
16 o.s.	18.42	19.23	½ to 2"						18.97	19.19

## Applicable Standards:

**ASTM A380-06** Standard Practice for Cleaning Descaling and Passivation of Stainless Steel Parts Equipment and Systems

**ASTM A967-05** Standard Specification for Chemical Passivation Treatments for Stainless Steel Parts

**ANSI/AWWA C800** Standard for Underground Service Line Valve and Fittings

**NSF/ANSI STANDARD 61** - Drinking Water System Components

**ASTM D2000 - 12** Standard Classification Systems for Rubber Products

**CAUTION: Saddles must not be reused until refurbished with new bolts and new gaskets at TPS**



and Triple Tap<sup>®</sup> are registered trademarks of Total Piping Solutions, Inc.

**Total Piping Solutions, Inc.**

**1760 Haskell Road, Olean, New York 14760**

**TEL: 716-372-0160, FAX: 716-372-1767**

**E-Mail: sales@tps.us**

**VISIT OUR WEBSITE: www.tps.us**

	<b>WARNING</b>	<p>This product is not intended for use on natural gas piping or any other type of gas piping. To do so could result in escaping gas that could ignite and cause property damage, serious injury or death.</p>

	<b>WARNING</b>	<p>This is a non-restraining product. If pipe pullout can occur, proper anchoring of the pipe joint is required. Failure to anchor the pipe could result in the escape of line content, and may cause property damage, serious injury or death.</p>